

Headspace oxygen analyzer for pharmaceutical packages

PharmaPack

O₂

Proven technology, for O₂ analysis in ampules and vials.

Fast, headspace O₂ analysis in less than a minute.

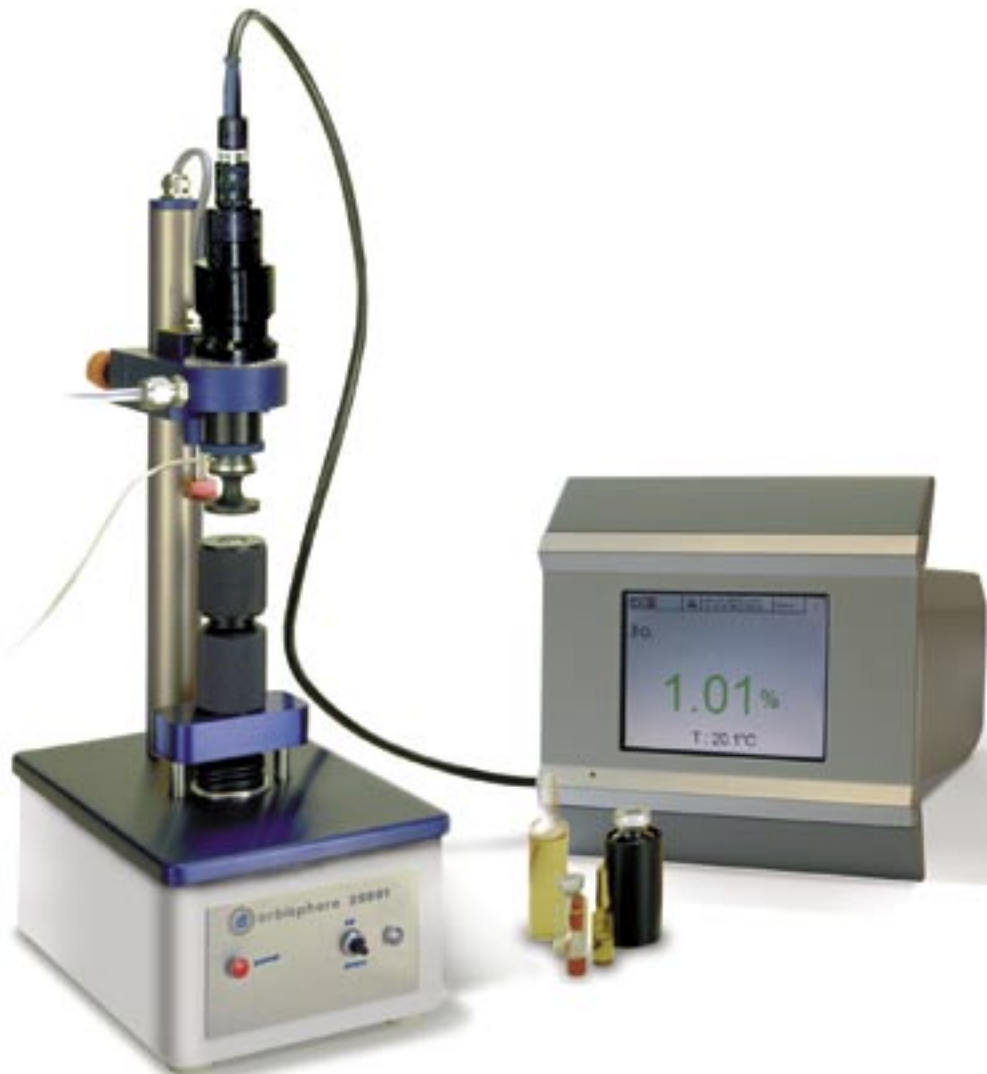
High sensitivity, down to 0.05% O₂.

Reduced bench space, suitable for at-line work.

Rugged and safe to use, no need of sampling syringe.

Low volume required, just 1 ml headspace sample needed.

Universal, with holders for most vials and ampules.



Standard package supports meet DIN 58337 standards. Custom made supports accept almost any size of vials or ampules.

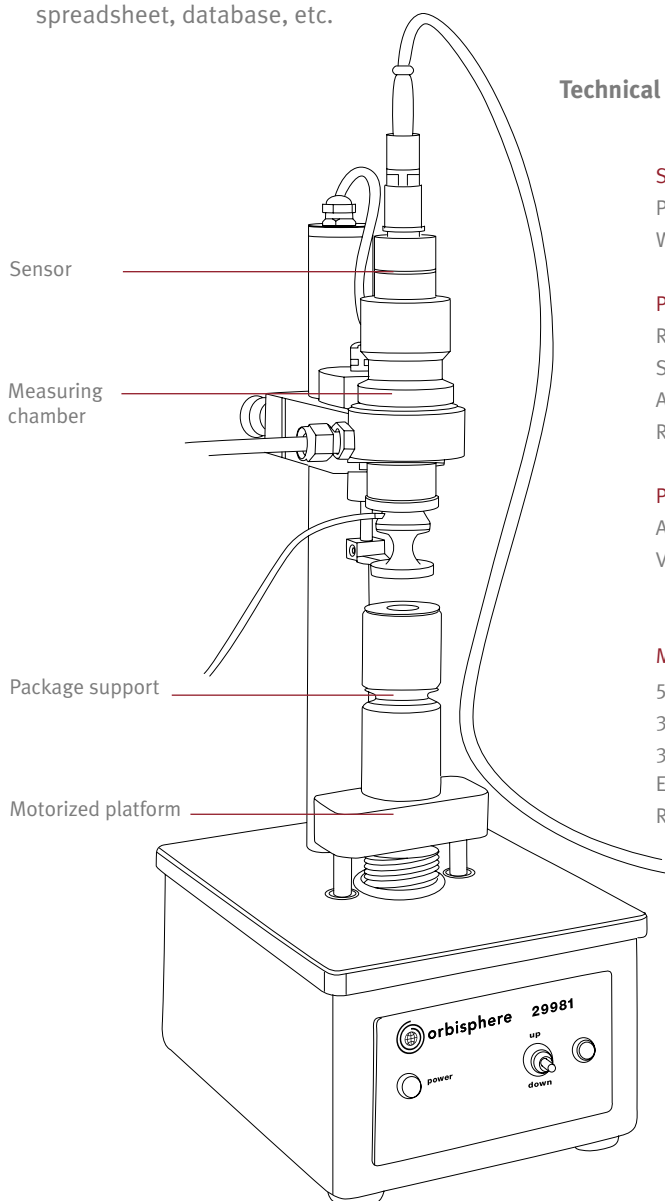
The sampler

Piercing of the package is semi-automated and motorized for consistency even by nonspecialized operators. No more handing needles or pooling multiple samples in a syringe. The Orbisphere polarographic sensor, the industry standard for quality control, provides superior stability and reproducibility for months of use without requiring zero-setting or recalibration. This sensor is not damaged by water or product in contact with it and requires preventive maintenance very infrequently.

The instruments

Models 3600, 3650, or 510, quickly display the precise headspace oxygen content. The analyzer can easily be configured by the user to set units and ranges, analog outputs, and alarm limits.

Measured values can be downloaded to a computer via an optional interface and Windows® software for treatment in a spreadsheet, database, etc.



Technical data summary:

Sampler 29981

Purge gas inert gas, 0.1 to 0.3 bar pressure
Water dispenser 0.1 to 1.0 ml injection volume, 250 ml bottle capacity

Performances

Ranges 0.05% to 21% volume O₂
Signal drift < 1% of reading between services
Analysis time < 60 sec (membrane 2956 A)
Repeatability r₉₅ = ± 0.08% O₂

Package supports

Ampules from 1 ml up to 50 ml (Ø10 to 29 mm)
Vials from Ø 12 mm to 57 mm
List of standard supports available on request.

Modell

510 with touch screen menu
3650 with logging capabilities
3600 with logging capabilities
Enclosures IP65/NEMA4 suited for use in clean rooms
Repeatability r₉₅ = ± 0.08% O₂



In the interest of continued product development, Hach Ultra Analytics reserves the right to make improvements to this literature and/or the products it describes, without notice or obligation.

Hach Ultra Analytics

salesinfo@hachultra.com
Tel. ++41 22 855 91 00
Fax ++41 22 855 91 99
6, route de Compois, C.P.212
CH-1222 Vérenaz, Geneva
Switzerland

Represented By

